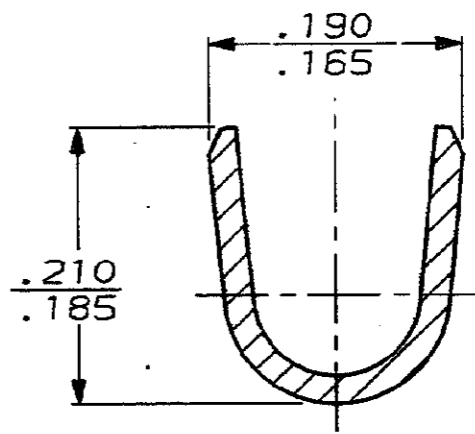
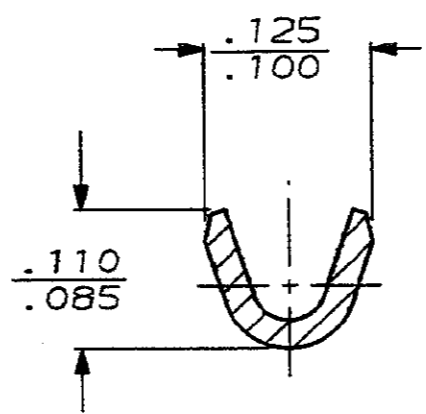
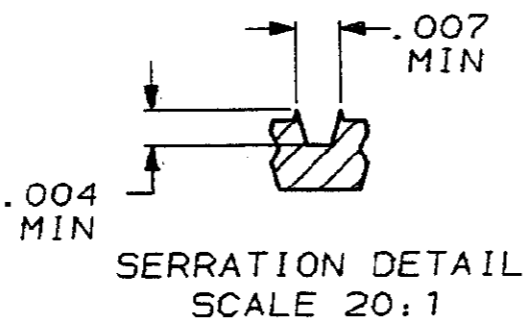
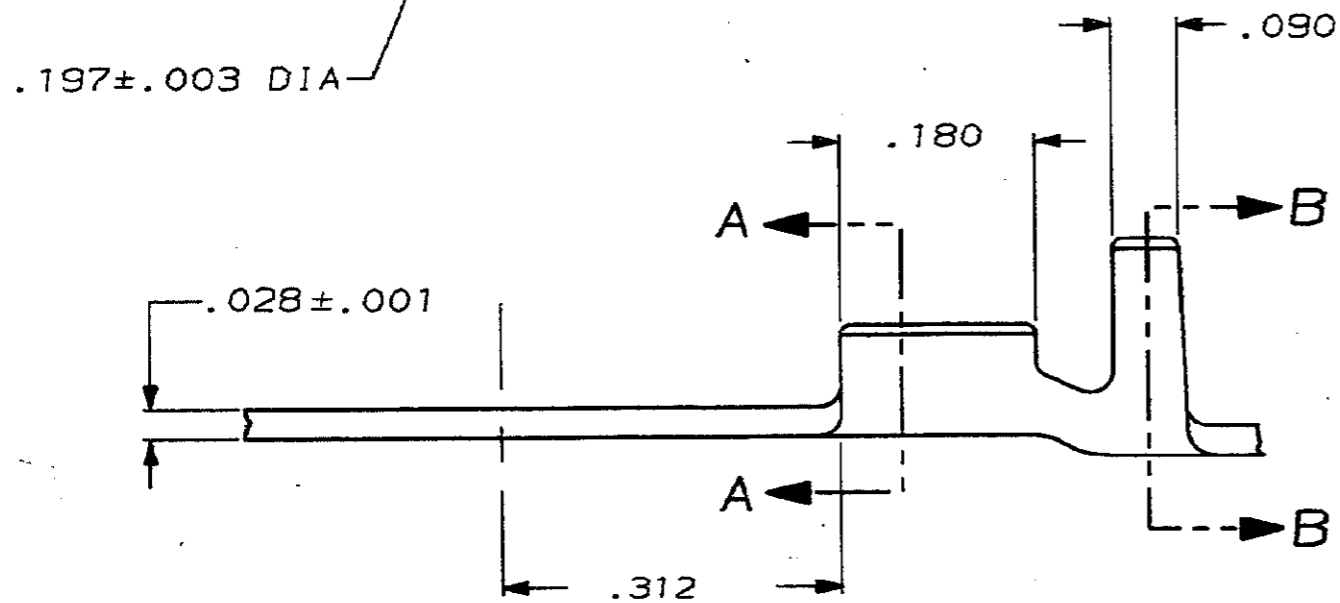
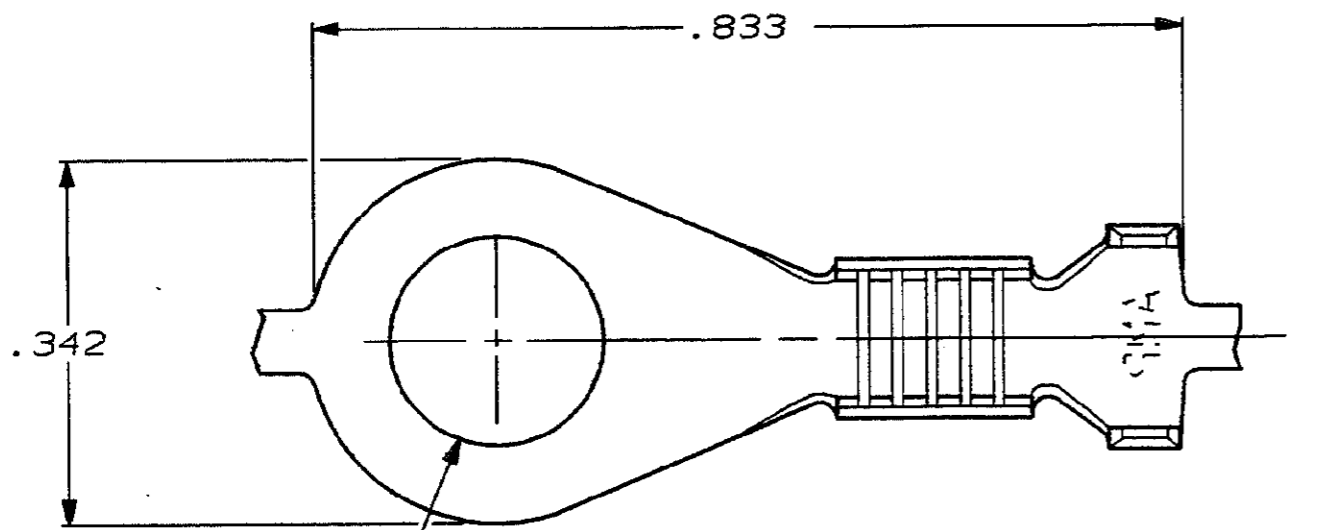


DRAWING MADE IN THIRD ANGLE PROJECTION

THIS DRAWING IS UNPUBLISHED. RELEASED FOR PUBLICATION, 19
 © COPYRIGHT 19 BY AMP INCORPORATED, HARRISBURG, PA. ALL INTERNATIONAL RIGHTS RESERVED. AMP PRODUCTS MAY BE COVERED BY U.S. AND FOREIGN PATENTS AND/OR PATENTS PENDING.

LOC	DIST	REVISIONS				
AF	50	ZONE	LTR	DESCRIPTION	DATE	APPROVED
			H	REV PER AF-4519	2/18/88	Pm F/MS



FINISH	INSULATION RANGE	MAGNET WIRE SIZE	PART NO
TIN PL	.100-.140	23-19	60319-2
	.100-.140	23-19	60319-1

UNLESS OTHERWISE SPECIFIED DIMENSIONS ARE IN INCHES TOLERANCES ON: 2 PL DEC ± - 3 PL DEC ± .015 ANGLES ± -	DR P FORTNEY 6/4/87	AMP AMP INCORPORATED Harrisburg, Pa. 17105	
	CHK G YETTER 1/6/88		
MATERIAL T1 BRASS	APPD RP FRANTZ 1/7/88	NAME RING, AMPLIVAR	
FINISH SEE TABLE	APPD TL SHUTTER 1/12/88	SIZE B	FSCM NO 00779
		DRAWING NO 60319	
		SCALE 6:1	SHEET 1 OF 1